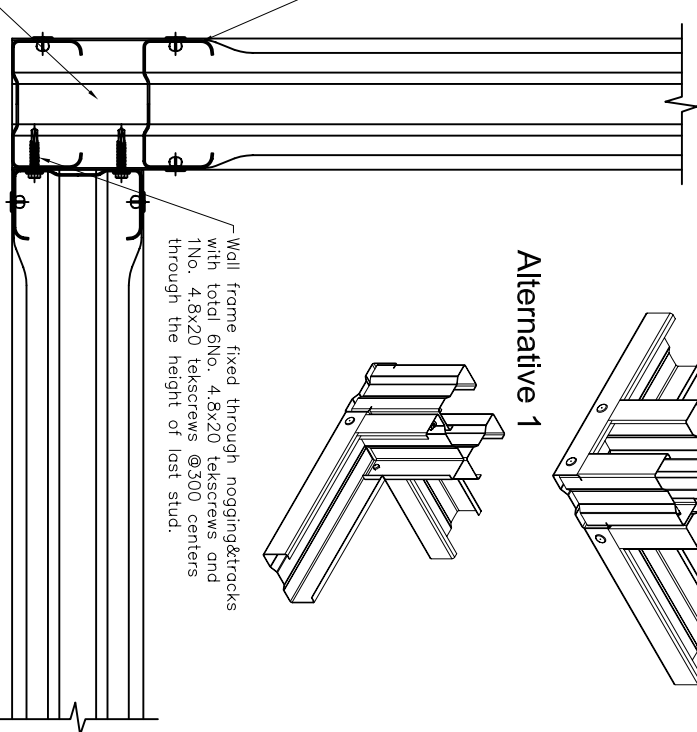
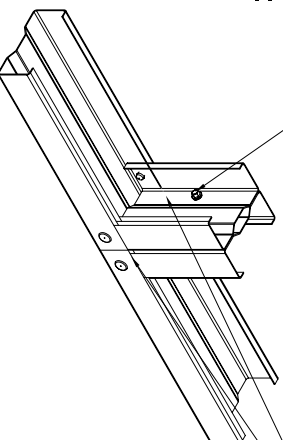


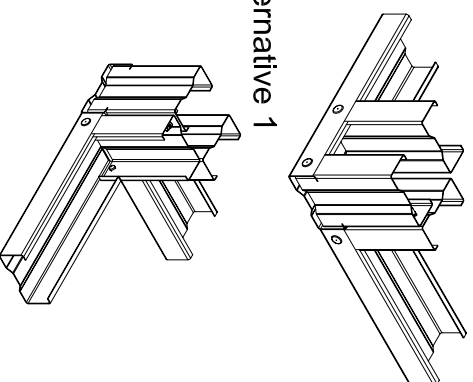
Fix wall frames with 2No. of 4.8x20 tek screws @300mm centers.

Every Scottsdale frame member is connected with 4.8x10 steel blind rivets to the members at either end through its flanges.

Butted Wall Frames:



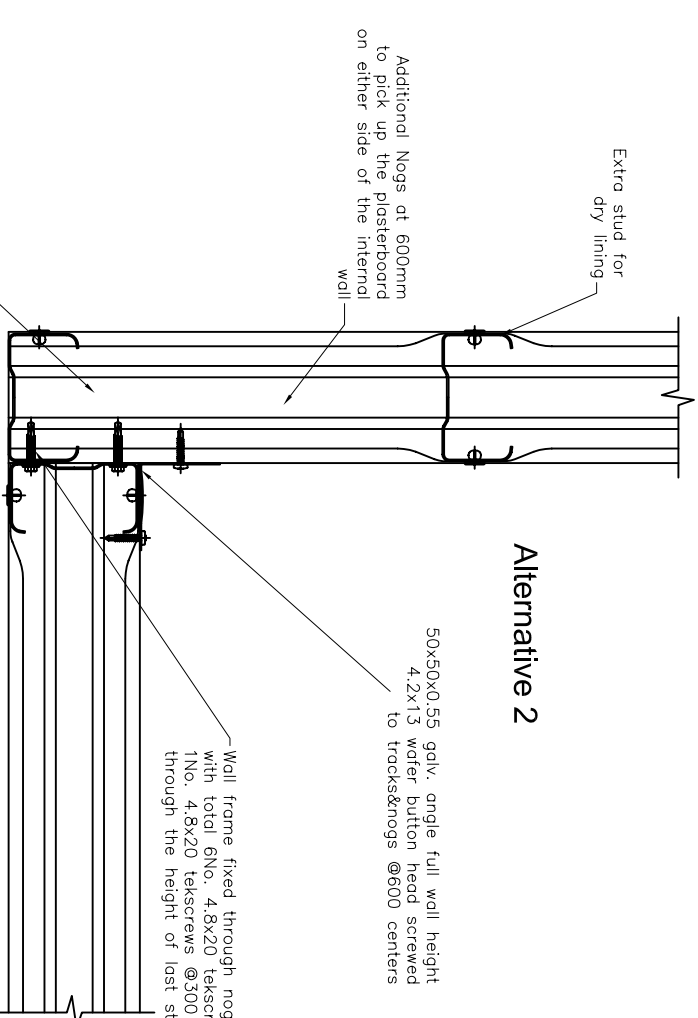
Alternative 1



Wall frame fixed through nogging&tracks with total 6No. 4.8x20 tek screws and 1No. 4.8x20 tek screws @300 centers through the height of last stud.

Put the insulation from the outside of the building if installing the external boards on site, OR the insulation in this area must be placed in the factory

Walls Meeting at a 90deg Corner



Alternative 2

Additional Nogs at 600mm to pick up the plasterboard on either side of the internal wall

50x50x0.55 galv. angle full wall height 4.2x1.3 water button head screwed to tracks&nogs @600 centers

Wall frame fixed through nogging&tracks with total 6No. 4.8x20 tek screws and 1No. 4.8x20 tek screws @300 centers through the height of last stud.

Put the insulation from the outside of the building if installing the external boards on site, OR the insulation in this area must be placed in the factory

NOTES

IMPORTANT: ALL COPYRIGHT AND DESIGN RIGHT, SUBSISTING IN THIS DOCUMENT IS THE PROPERTY OF SCOTSDALE CONSTRUCTION SYSTEMS AND ASSOCIATED COMPANIES AND MAY NOT BE REPRODUCED WITHOUT WRITTEN CONSENT. THIS DOCUMENT AND THE INFORMATION CONTAINED WITHIN IT, IS CONFIDENTIAL TO SCOTSDALE CONSTRUCTION SYSTEMS AND ASSOCIATED COMPANIES AND MAY NOT BE DISCLOSED TO ANY THIRD PARTY WITHOUT WRITTEN CONSENT.

REVISIONS

UNLESS OTHERWISE STATED ALL DIMENSIONS ARE IN MILLIMETRES

DO NOT SCALE

IF IN DOUBT ASK!

PROJECT NAME Standard Construction Details

CUSTOMER NAME ScottsdaleSteel UK Ltd

DRAWING TITLE Corner connection & side to side connection of wall frames

DRAWING No. C/20/02

SCALE NTS

CHECKED BY Sendar Dundar

STATUS DRAWN BY Mehdi Mazi

REVISION -

ScottsdaleSteel UK Ltd
500 Chiswick High Road London
W4 5RG

