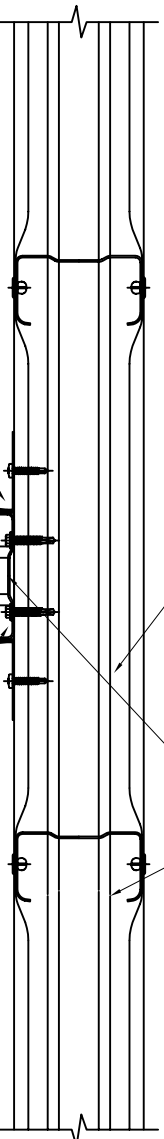




Additional Nogs at 600mm to pick up the galvanized angle on either side of the internal wall

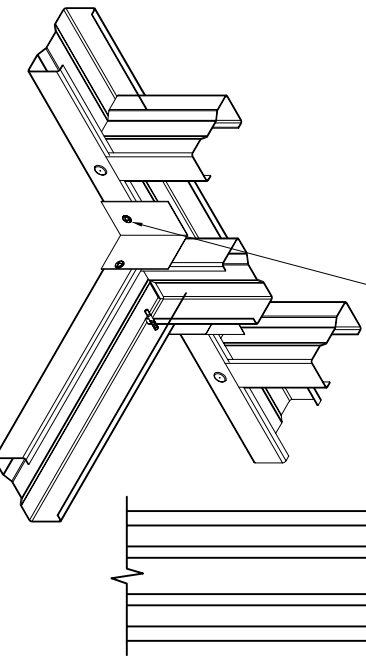
Scottsdale wall frame



50x50x0.55 galv. angle full wall height
4.2x13 water buton head screwed to tracks&nogs @600 centers

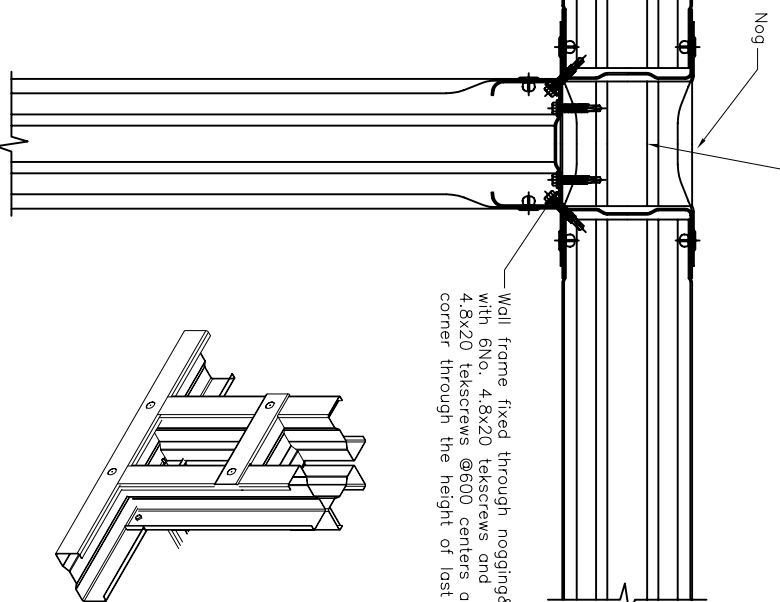
Wall frame fixed through every nogging&tracks with 2No. 4.8x20 tek screws.

Alternative 2

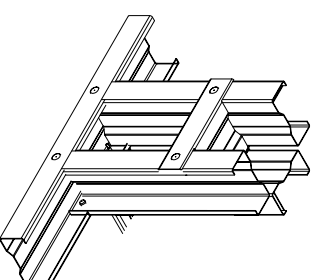


Put the insulation from the outside of the building if installing the external boards on site, OR the insulation in this area must be placed in the factory.

Wall frame fixed through nogging&tracks with 6No. 4.8x20 tek screws and 4.8x20 tek screws @600 centers at each corner through the height of last stud.

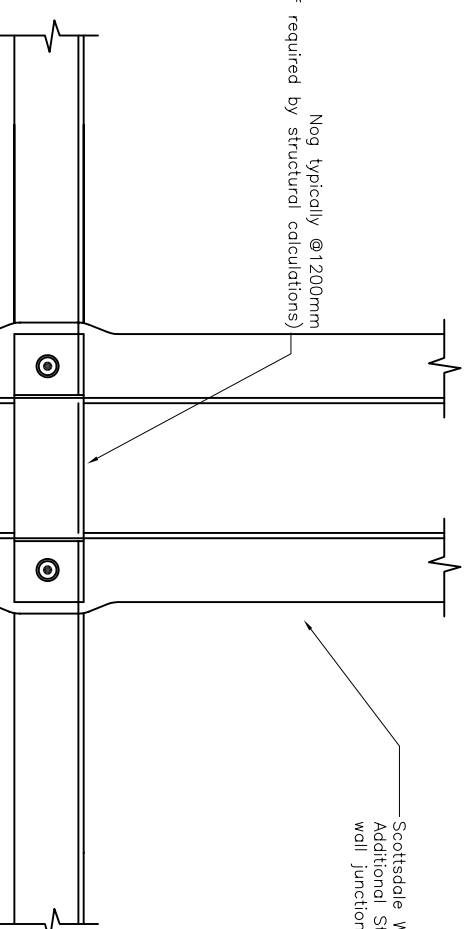


SECTION A-A

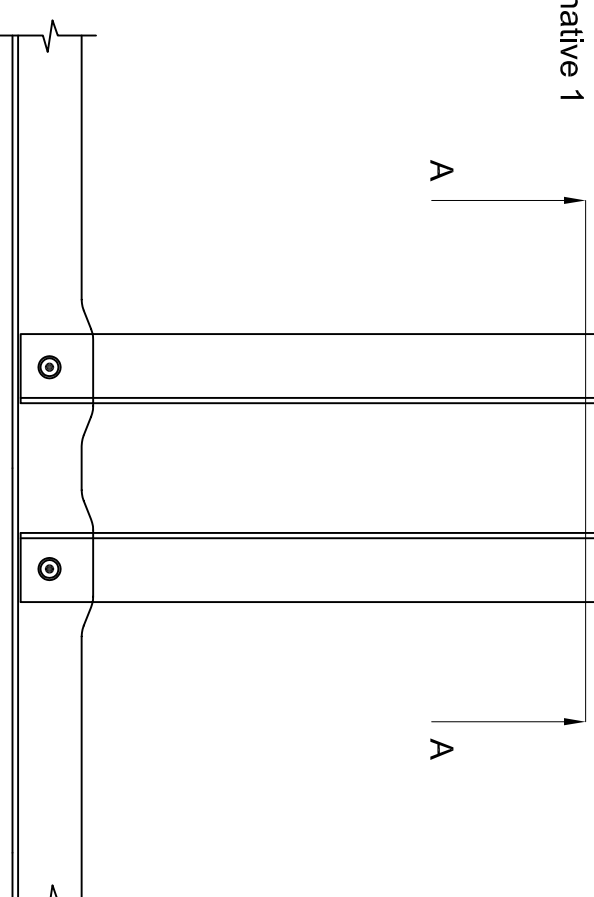


Nog typically @1200mm (if required by structural calculations)

Scottsdale Wall Frame Additional Stud at wall junctions.



Alternative 1



NOTES

IMPORTANT: ALL COPYRIGHT AND DESIGN RIGHT, SUBSISTING IN THIS DOCUMENT IS THE PROPERTY OF SCOTSDALE CONSTRUCTION SYSTEMS AND ASSOCIATED COMPANIES AND MAY NOT BE REPRODUCED WITHOUT WRITTEN CONSENT. THIS DOCUMENT AND THE INFORMATION CONTAINED WITHIN IT, IS CONFIDENTIAL TO SCOTSDALE CONSTRUCTION SYSTEMS AND ASSOCIATED COMPANIES AND MAY NOT BE DISCLOSED TO ANY THIRD PARTY WITHOUT WRITTEN CONSENT.

REVISIONS

UNLESS OTHERWISE STATED ALL DIMENSIONS ARE IN MILLIMETRES

DO NOT SCALE

IF IN DOUBT ASK!

PROJECT NAME Standard Construction Details

CUSTOMER NAME ScottsdaleSteel UK Ltd

DRAWING TITLE Internal to external wall connection

DRAWING No. C/20/03

SCALE NTS

DRAWN BY Mehdi Mazi

STATUS

DATE 10/3/2005

CHECKED BY Sendar Dundar

ScottsdaleSteel UK Ltd
500 Chiswick High Road London
W4 5RG



Scottsdale
Construction Systems

