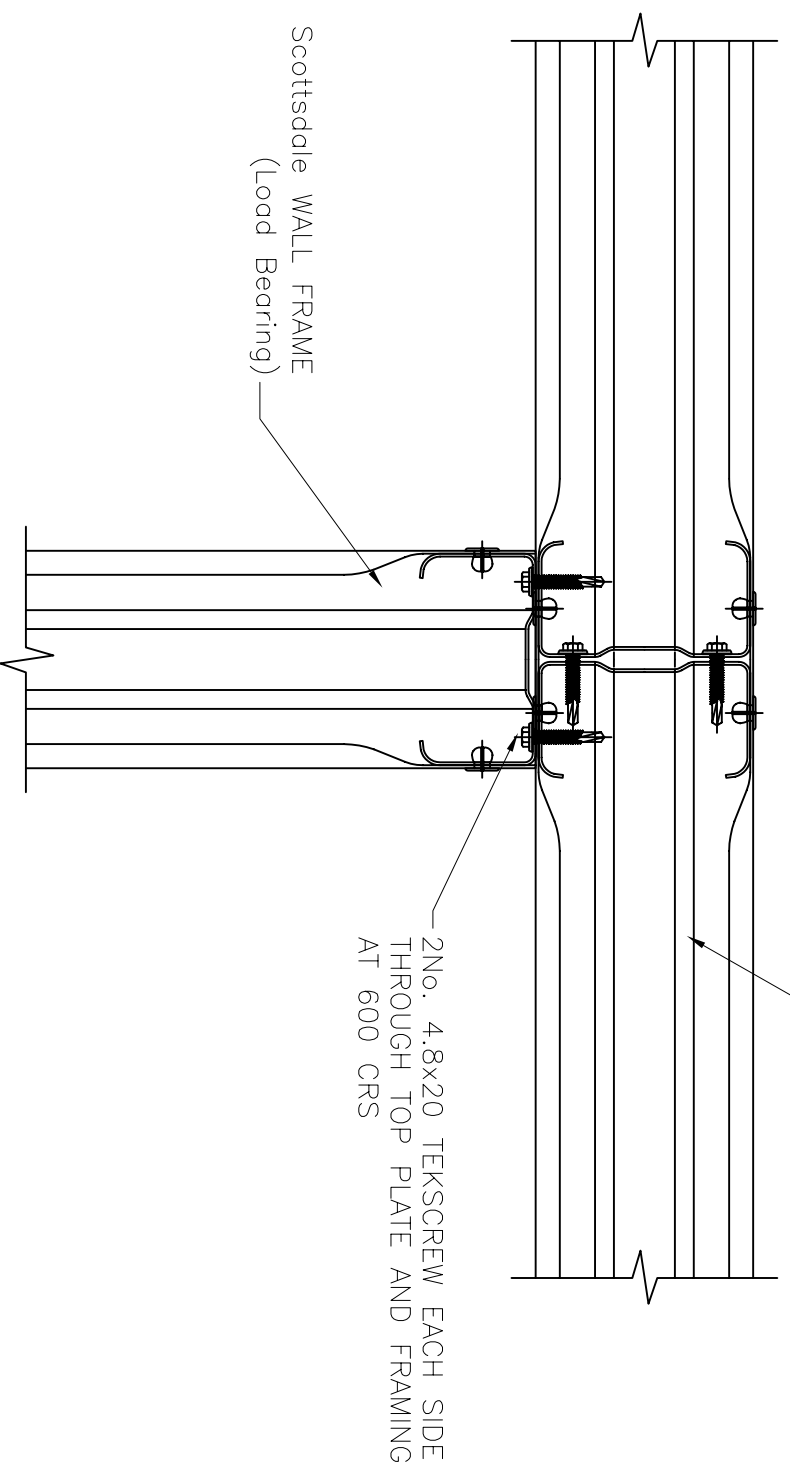


PLAN VIEW



FRONT VIEW

NOTES

IMPORTANT: ALL COPYRIGHT AND DESIGN RIGHT, SUBSISTING IN THIS DOCUMENT IS THE PROPERTY OF SCOTTSDALE CONSTRUCTION SYSTEMS AND ASSOCIATED COMPANIES AND MAY NOT BE REPRODUCED WITHOUT WRITTEN CONSENT. THIS DOCUMENT AND THE INFORMATION CONTAINED WITHIN IT, IS CONFIDENTIAL TO SCOTTSDALE CONSTRUCTION SYSTEMS AND ASSOCIATED COMPANIES AND MAY NOT BE DISCLOSED TO ANY THIRD PARTY WITHOUT WRITTEN CONSENT.

REVISIONS

UNLESS OTHERWISE STATED ALL DIMENSIONS ARE IN MILLIMETRES

**DO NOT SCALE**  
**IF IN DOUBT ASK!**

PROJECT NAME Standard Construction Details

CUSTOMER NAME ScottsdaleSteel UK Ltd

DRAWING TITLE Ceiling frame to internal load bearing wall frame connection

DRAWING No. C/20/04

SCALE NTS

DRAWN BY Mehdi Mazi

CHECKED BY Sendar Dundar

STATUS

DATE

10/3/2005

REVISION -

ScottsdaleSteel UK Ltd  
500 Chiswick High Road London  
W4 5RG



**Scottsdale**  
Scottsdale Construction Systems

