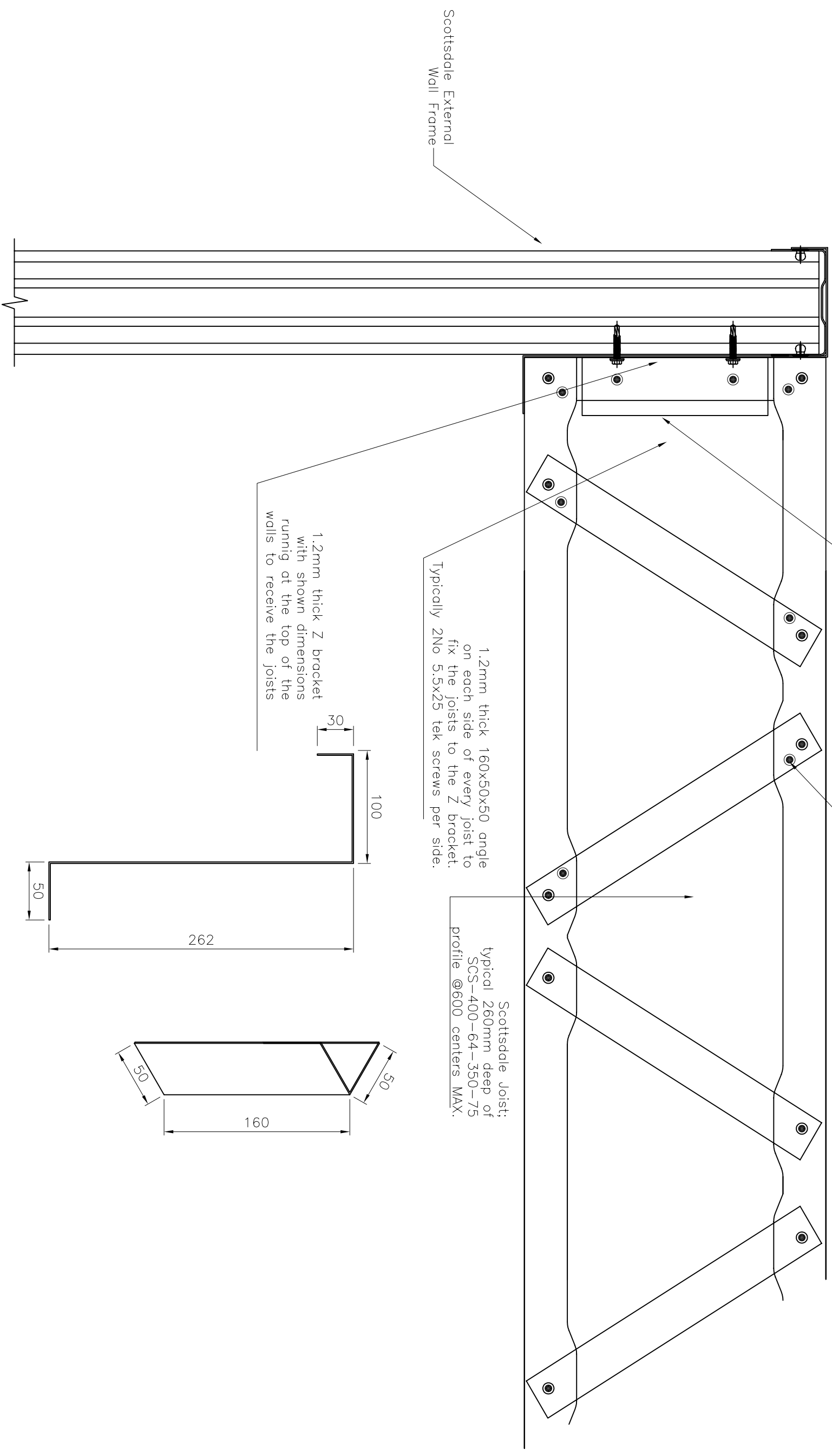




2No. 5.5x25 tek screws typical to fix angles to the Z bracket on either side of every joist OR No. of screws determined by structural calcs.

Provide Additional 4.8x20 tek screws for the bracing members at the far ends of the joist if necessary. Refer to Structural Calcs.

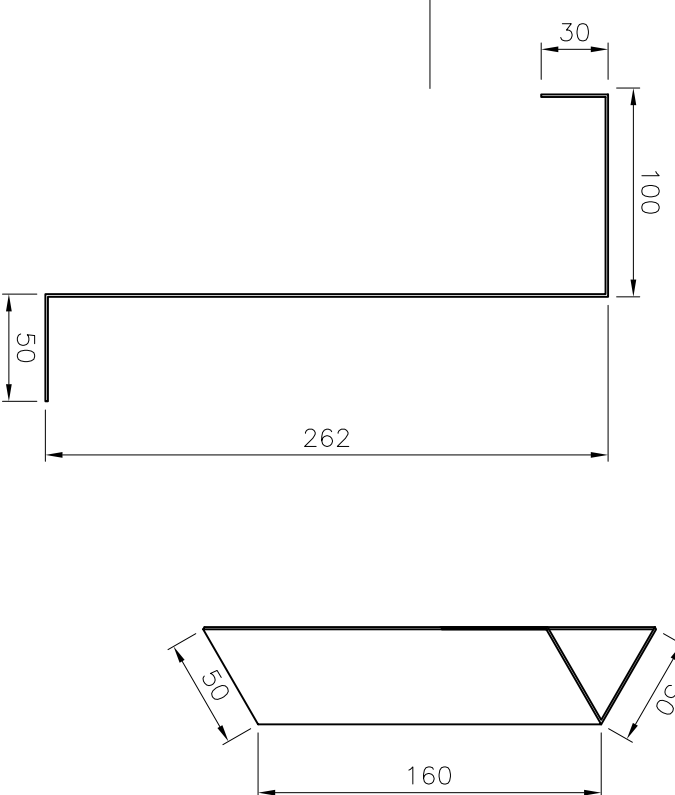


Scottsdale External Wall Frame

1.2mm thick Z bracket with shown dimensions running at the top of the walls to receive the joists

1.2mm thick 160x50x50 angle on each side of every joist to fix the joists to the Z bracket. Typically 2No 5.5x25 tek screws per side.

Scottsdale Joist: typical 260mm deep of SCS-400-64-350-75 profile @600 centers MAX.



NOTES

IMPORTANT: ALL COPYRIGHT AND DESIGN RIGHT, SUBSISTING IN THIS DOCUMENT IS THE PROPERTY OF SCOTTSDALE CONSTRUCTION SYSTEMS AND ASSOCIATED COMPANIES AND MAY NOT BE REPRODUCED WITHOUT WRITTEN CONSENT. THIS DOCUMENT AND THE INFORMATION CONTAINED WITHIN IT, IS CONFIDENTIAL TO SCOTTSDALE CONSTRUCTION SYSTEMS AND ASSOCIATED COMPANIES AND MAY NOT BE DISCLOSED TO ANY THIRD PARTY WITHOUT WRITTEN CONSENT.

REVISIONS

UNLESS OTHERWISE STATED ALL DIMENSIONS ARE IN MILLIMETRES

DO NOT SCALE

IF IN DOUBT ASK!

PROJECT NAME Standard Construction Details

CUSTOMER NAME ScottsdaleSteel UK Ltd

DRAWING TITLE Scottsdale floor joist to external wall connection

DRAWING No. C/20/9

SCALE NTS

DRAWN BY Sendar Dunder

CHECKED BY Sendar Dunder

STATUS

DATE 10/3/2005

REVISION -

ScottsdaleSteel UK Ltd
500 Chiswick High Road London
W4 5RG

